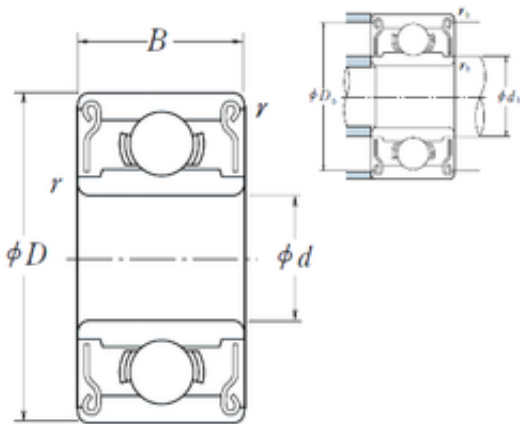




CYSD BEARING-ENGLAND CO.,LTD.



6 mm x 10 mm x 3 mm NSK MR 106 ZZ1 deep groove ball bearings

Bearing No. MR 106 ZZ1

Size	6x10x3 mm
Bore Diameter	6 mm
Outer Diameter	10 mm
Width	3 mm
d	6 mm
D	10 mm
B	3 mm
C	3 mm
r min.	0,1 mm
db max.	7 mm
Db min.	9,3 mm
rb max.	0,1 mm
Weight	0,00068 Kg
Basic dynamic load rating (C)	0,495 kN
Basic static load rating (C0)	0,218 kN

MR 106 ZZ1 Bearing 2D drawings and 3D CAD models