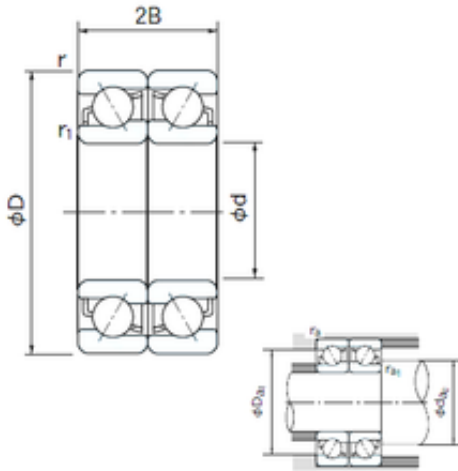




# CYSD BEARING-ENGLAND CO.,LTD.



55 mm x 100 mm x 21 mm NACHI 7211BDF angular contact ball bearings

Bearing No. 7211BDF

7211BDF Bearing 2D drawings and 3D CAD models

Size	55x100x21 mm
Bore Diameter	55 mm
Outer Diameter	100 mm
Width	21 mm
d	55 mm
D	100 mm
B	21 mm
C	21 mm
Angle ( ° )	40 °
a	22.1 mm
r min.	1.5 mm
r1 min.	1 mm
2B	42 mm
da min.	60 mm
Da max.	94.6 mm
ra max.	1 mm
Weight	0.635 Kg
Basic dynamic load rating (C)	78 kN
Basic static load rating (C0)	74,5 kN
(Grease) Lubrication Speed	4000 r/min
Bore Type	Cylindrical Bore
Enclosure	Open
Configuration	Duplex
Bore Size	55 mm
Outside Diameter	100 mm



## CYSD BEARING-ENGLAND CO.,LTD.

Width	21 mm
Fillet Radius/Chamfer	1.5 mm
r1	1 mm
Dynamic Load Rating	78,000 N
Static Load Rating	74,500 N
Limiting Speed - Grease	4,000 rpm
Limiting Speed - Oil	5,500 rpm
da1 (min)	64 mm
da2 (min)	60 mm
Da1 (max)	91 mm
Da2 (max)	94.6 mm
ra (max)	1.5 mm
ra1 (max)	1 mm