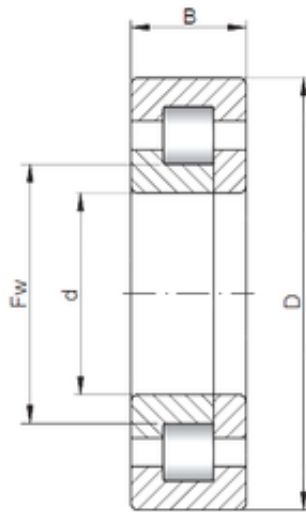




CYSD BEARING-ENGLAND CO.,LTD.



240 mm x 440 mm x 160 mm ISO NUP3248
cylindrical roller bearings

Bearing No. NUP3248

Size	240x440x160 mm
Bore Diameter	240 mm
Outer Diameter	440 mm
Width	160 mm
d	240 mm
D	440 mm
B	160 mm
C	160 mm

NUP3248 Bearing 2D drawings and 3D CAD models