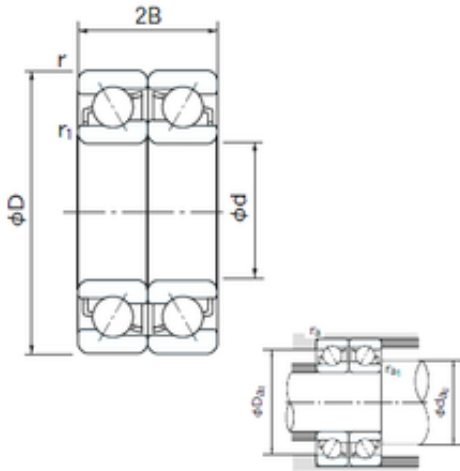




# CYSD BEARING-ENGLAND CO.,LTD.



150 mm x 270 mm x 45 mm NACHI 7230DF  
angular contact ball bearings

Bearing No. 7230DF

7230DF Bearing 2D drawings and 3D CAD models

|                               |                  |
|-------------------------------|------------------|
| Size                          | 150x270x45 mm    |
| Bore Diameter                 | 150 mm           |
| Outer Diameter                | 270 mm           |
| Width                         | 45 mm            |
| d                             | 150 mm           |
| D                             | 270 mm           |
| B                             | 45 mm            |
| C                             | 45 mm            |
| Angle ( ° )                   | 30 °             |
| a                             | 38.1 mm          |
| r min.                        | 3 mm             |
| r1 min.                       | 1.1 mm           |
| 2B                            | 90 mm            |
| da min.                       | 157 mm           |
| Da max.                       | 263 mm           |
| ra max.                       | 1 mm             |
| Weight                        | 11.0 Kg          |
| Basic dynamic load rating (C) | 405 kN           |
| Basic static load rating (C0) | 560 kN           |
| (Grease) Lubrication Speed    | 1600 r/min       |
| Bore Type                     | Cylindrical Bore |
| Enclosure                     | Open             |
| Configuration                 | Duplex           |
| Bore Size                     | 150 mm           |
| Outside Diameter              | 270 mm           |



## CYSD BEARING-ENGLAND CO.,LTD.

|                         |           |
|-------------------------|-----------|
| Width                   | 45 mm     |
| Fillet Radius/Chamfer   | 3 mm      |
| r1                      | 1.1 mm    |
| Dynamic Load Rating     | 405,000 N |
| Static Load Rating      | 560,000 N |
| Limiting Speed - Grease | 1,600 rpm |
| Limiting Speed - Oil    | 2,200 rpm |
| da1 (min)               | 164 mm    |
| da2 (min)               | 157 mm    |
| Da1 (max)               | 256 mm    |
| Da2 (max)               | 263 mm    |
| ra (max)                | 2.5 mm    |
| ra1 (max)               | 1 mm      |