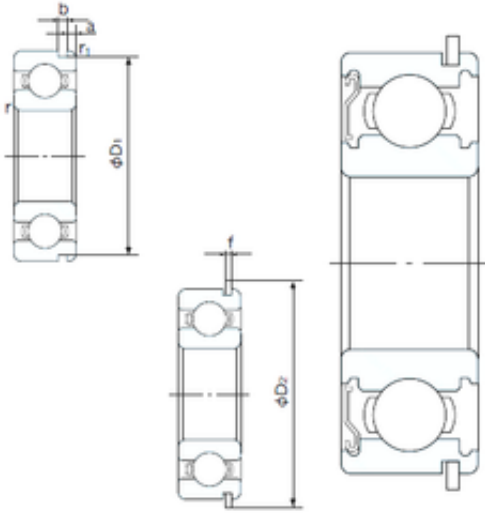




CYSD BEARING-ENGLAND CO.,LTD.



6204ZENR Bearing 2D drawings and 3D CAD models

20 mm x 47 mm x 14 mm NACHI 6204ZENR deep groove ball bearings

Bearing No. 6204ZENR

Size	20x47x14 mm
Bore Diameter	20 mm
Outer Diameter	47 mm
Width	14 mm
d	20 mm
D	47 mm
B	14 mm
C	14 mm
a	2.46 mm
b	1.35 mm
f	1.12 mm
r min.	1 mm
r1 min.	0.5 mm
D1	44.6 mm
D2	52.7 mm
Weight	0.106 Kg
Basic dynamic load rating (C)	12,8 kN
Basic static load rating (C0)	6,6 kN
(Grease) Lubrication Speed	14000 r/min
Category	Single Row Ball Bearings
Inventory	0.0
Manufacturer Name	NACHI
Minimum Buy Quantity	N/A
Weight / Kilogram	0
Product Group	B00308



CYSD BEARING-ENGLAND CO.,LTD.

Enclosure	1 Metal Shield
Precision Class	ABEC 1 ISO P0
Maximum Capacity / Filling Slot	No
Rolling Element	Ball Bearing
Snap Ring	Yes
Internal Special Features	No
Cage Material	Steel
Internal Clearance	C0-Medium
Inch - Metric	Metric
Long Description	20MM Bore; 47MM Outside Diameter; 14MM Outer Race Width; 1 Metal Shield; Ball Bearing; ABEC 1 ISO P0; No Filling Slot; Yes Snap Ring; No Internal Special Features; C0-Medium Internal Clearance; Stee
Other Features	Deep Groove With Snap Ring
Category	Single Row Ball Bearing
UNSPSC	31171504
Harmonized Tariff Code	8482.10.50.68
Noun	Bearing
Keyword String	Ball
Manufacturer URL	http://www.nachiamerica.com
Weight / LBS	0.234
Outer Race Width	0.551 Inch 14 Millimeter
Inner Race Width	0 Inch 0 Millimeter
Outside Diameter	1.85 Inch 47 Millimeter
Bore	0.787 Inch 20 Millimeter
Bore Type	Cylindrical Bore
Configuration	Single Row
Bore Size	20 mm



CYSD BEARING-ENGLAND CO.,LTD.

Width	14 mm
Fillet Radius/Chamfer	1 mm
r1	0.5 mm
Snap Ring Width	1.1 mm
Snap Ring Outside Diameter	52.7 mm
D1 (max)	44.6 mm
a (max)	2.5 mm
b (min)	1.4 mm
Dynamic Load Rating	12,800 N
Static Load Rating	6,600 N
Limiting Speed - Grease	16,000 rpm
Limiting Speed - Oil	18,000 rpm
Factor fo	13.1
Radial Clearance	0.005 to 0.020 mm
da (min)	26 mm
Da (max)	41 mm
Dx (min)	53.5 mm
ra (max)	1 mm
Cy (max)	3.3 mm