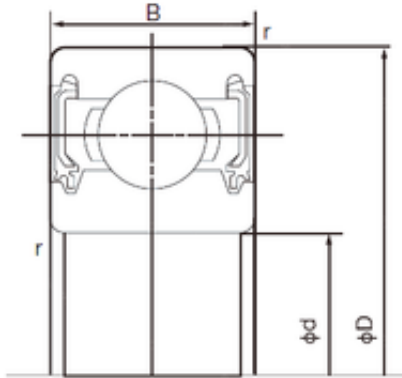


20 mm x 47 mm x 14 mm NACHI 6204-2NKE9 deep groove ball bearings



Bearing No. 6204-2NKE9

6204-2NKE9 Bearing 2D drawings and 3D CAD models

Size	20x47x14 mm
Bore Diameter	20 mm
Outer Diameter	47 mm
Width	14 mm
d	20 mm
D	47 mm
B	14 mm
C	14 mm
r min.	1.0 mm
Basic dynamic load rating (C)	12,8 kN
Basic static load rating (C0)	6,6 kN
Bore Type	Cylindrical Bore
Enclosure	Double Seal
Configuration	Single Row
Weight	0.106 kg
Bore Size	20 mm
Outside Diameter	47 mm
Width	14 mm
Dynamic Load Rating	12,800 N
Static Load Rating	6,600 N
Limiting Speed - Grease	16,000 rpm
Factor fo	13.1
Radial Clearance	0.005 to 0.020 mm
da (min)	26 mm
Da (max)	41 mm



CYSD BEARING-ENGLAND CO.,LTD.

ra (max)	1 mm
----------	------